

TREADLE SMITH

— UNIVERSAL —



Patchwork Quilter's AcuFeed Trio

Designed To Fit Janome Dual Feed Foot AD

Designed Exclusively To Fit AcuFeed Dual Holder (AD)



This set contains three of the most requested extras for patchwork quilting, designed to fit your AcuFeed Foot Holder "AD" - which is the wider one also known as the Dual Feed / Twin Foot Holder. It's a MUST for the feet in this set.

Fully interchangeable with the other AcuFeed Feet, these are made by Janome's own makers, designed to fit your 9mm sewing machine that come with the AcuFeed function.

NOTE: AcuFeed Foot Holder (AD) isn't included in this set, because your machine already has one.



*Custom Crafted to Japanese Quality.
For Your Sewing Enjoyment.*



Quarter Inch 1/4" Foot

Essential for patchwork piecing, this quarter inch foot (202 125 004) is also known as a "Patchwork Foot" with a built-in guide that keeps your seam at a consistent, accurate seam allowance that is exactly 1/4 inch (or 6.3mm)... excellent for chain-piecing, no matter how fast you sew. Having a precise 1/4" seam means your blocks will come together effortlessly - with minimal fudging and perfect points!



Straight Stitching Foot

Perfect for quilting, this Straight Stitch Foot (202 102 005) is often used on very fine or very heavy fabrics. This particular foot is flat on the underside to provide an even pressure against the feed dogs and it has a round needle hole which offers the benefit of more support around the needle to prevent skipped stitches and puckering. **NOTE:** It must be used in a centre needle position. Please check before sewing.



Ditch Quilting Foot

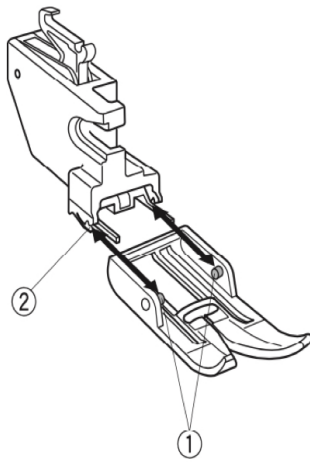
Achieving perfectly straight "stitch in the ditch" quilting is easy with this foot (202 087 003) because the guide on the foot spreads the seams allowing you to stitch precisely in the ditch, while the fullness of your batting creates shadows that highlight the loft and makes the stitching less visible. Also works brilliantly for perfect top stitching.

You can achieve BEST results with the help of this set while fully benefiting from the AcuFeed system - which guides multiple layers precisely. **Perfection has never been easier!**

How To Install / Change Foot

Your machine already has a Dual Feed / AcuFeed Holder (AD) which is a standard accessory for 9mm AcuFeed machines. It's the WIDE one.

To use an AcuFeed foot, you first install it on the foot holder (sometimes called an "ankle") then attach the foot holder / ankle to the machine.



To install, simply remove the exiting foot from your AcuFeed Holder by pulling the foot towards you.

Insert the pins (1) of the new foot into the slits (2) of the foot holder, and gently push the foot until it snaps into place.

To attach the AcuFeed Holder to your machine, first loosen the screw on the side of the shaft and remove the existing foot holder.

Hold the AcuFeed holder in place and tighten the screw. Now you're ready to sew!

● **SUPERIOR QUALITY GUARANTEED** ●

Custom Crafted

With utmost care and attention to ensure long-lasting sewing enjoyment for you. Proudly brought to you by the trusted team authorised by Janome in Taiwan.

FITS
9mm
ACUFEED
MODELS

● **SME-203-9AC** ● **Made in Taiwan** ●
